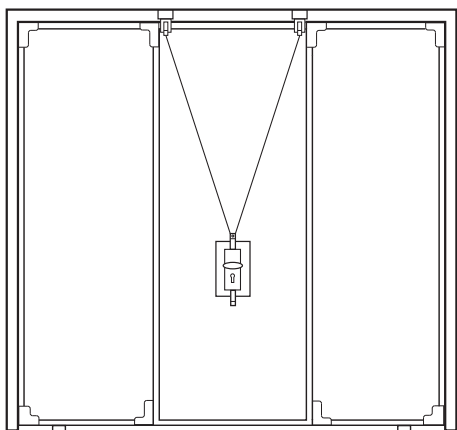




Garage Door

fitting instructions

Framed Canopy Fitting Instructions V5.2



Warning!

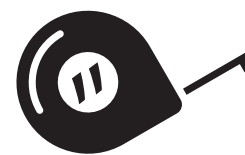


Garage doors are under extreme pressure from the spring system and a poorly installed frame could lead to serious injury if the door comes loose or falls in any way.

Before you start!

Measure

Measure and check the opening against the door you are about to install. Remember, you cannot trim down a steel frame so you are looking for an opening that is bigger than the door and frame size. Also check the opening is square and check there is the space inside the garage to ensure the door will not be impeded as the door opens.



Pack Contents

1x fitting pack containing:

- 6x angled fixing brackets
- 12x 50mm coach screws (hex head)
- 12x self drilling tech screws (8mm)
- 24x M8 washers
- 3x keys
- 1x door
- 1x handle pack

Safety Equipment



Gloves



Goggles

Wear adequate protection when installing

Tools required for installation:



Screw driver



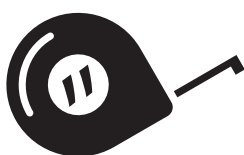
Pliers



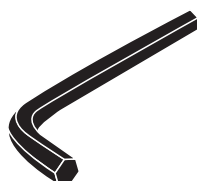
Electric drill



Spanner



Tape measure



Allen key



Spirit Level



Wedge

Handy information:

Caution!



Garage doors are heavy and this item must be installed by two people.

Do not!



Do not allow children to assist in the installation, adjustment, or operation of this door. Garage doors can inflict severe injury if not used correctly.

CE Marked



This door is CE marked and comes with a Europe wide 2 year warranty, limitations apply visit **www.fortdoors.co.uk** and view full terms and conditions.

Warranty



Always ensure the door is correctly adjusted and serviced as failure to do so may invalidate the warranty.

Warning!



Until all parts of the installation are finished, there is a possibility of being locked out, always ensure someone is inside until you have checked the operation of the locking and adjusting as required.

For technical help:

Helpline: 01217 497 977

Email: sales@fortdoors.co.uk

Website: www.fortdoors.co.uk

Installation

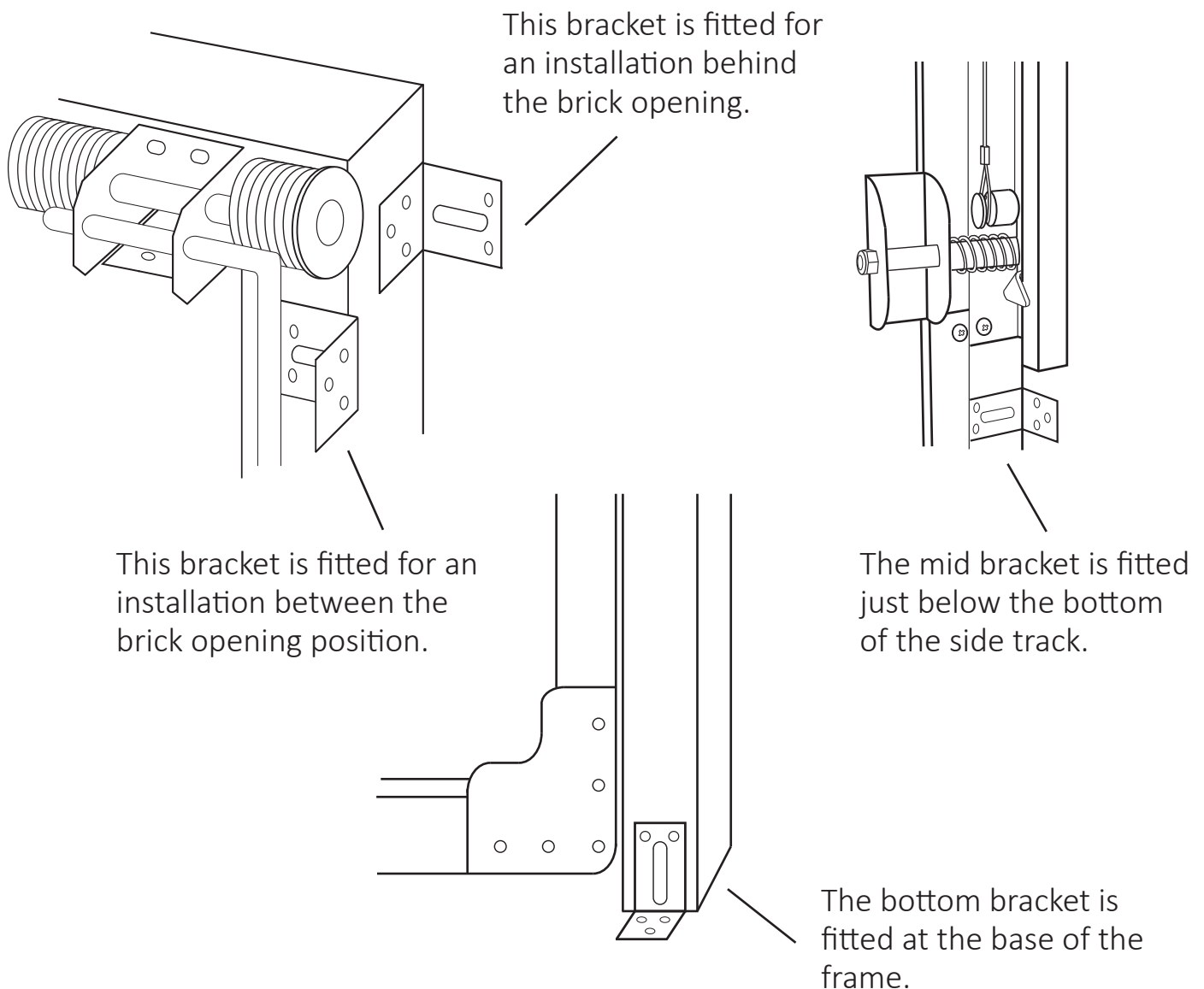
Offer the door up to the opening and mark the brackets on the frame with a pencil, remove unit.

Fit the angled brackets

There's no fixed way of fitting brackets to the frame. They should be fitted to obtain the strongest fixing to the frame/wall and you should assess this on site. Always use the tech screws provided to fix to the frame and the coach screws into the wall (**no wall plugs are supplied**).

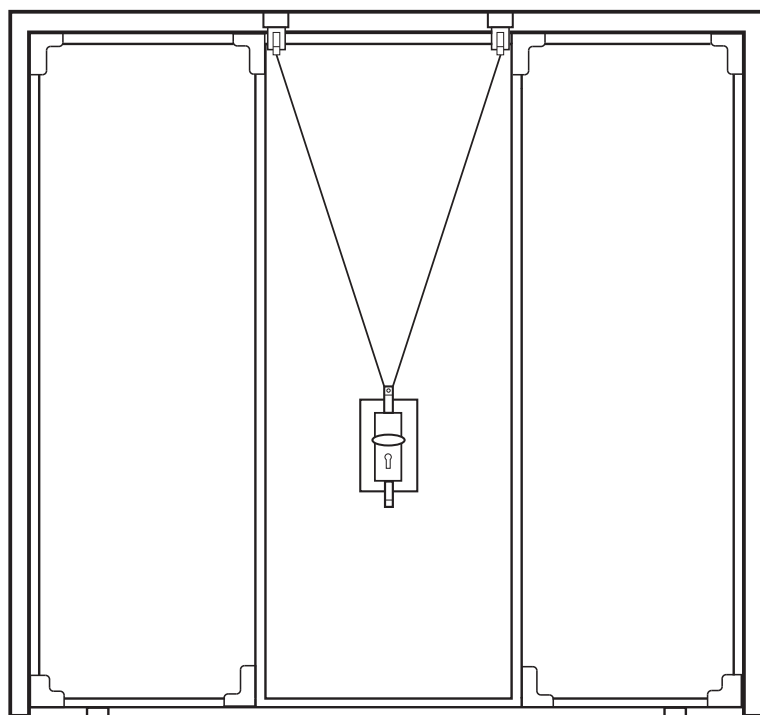
Ensure that you use 3 brackets per side, one at the top, middle and bottom. Non are required across the head of the frame . Fix using 2 x self tapping tech screws per bracket .

Below are examples of how brackets might be fitted:



Fitting the door to the opening

Offer the door up to the opening (**two persons required**) and wedge in to place, use a spirit level to ensure the overall satisfactory look of the installation and in particular the level of the frame head is correct.



Timber wedges to lift door into correct position.

Tip!

It's good to have someone outside for levelling the door, concentrate on the sides as this is the most obvious part if the installation is out of alignment. Ensure that when you stand back the door looks evenly spaced in the hole. Try not to rush this part as its not easy to put right after you have fixed the screws in place.

Once you are happy you can drill the wall using a 10mm drill bit and secure the brackets using 2 x 50mm coach screws per bracket.

Caution!

Do not fit the door twisted as this will stop the door locking correctly.

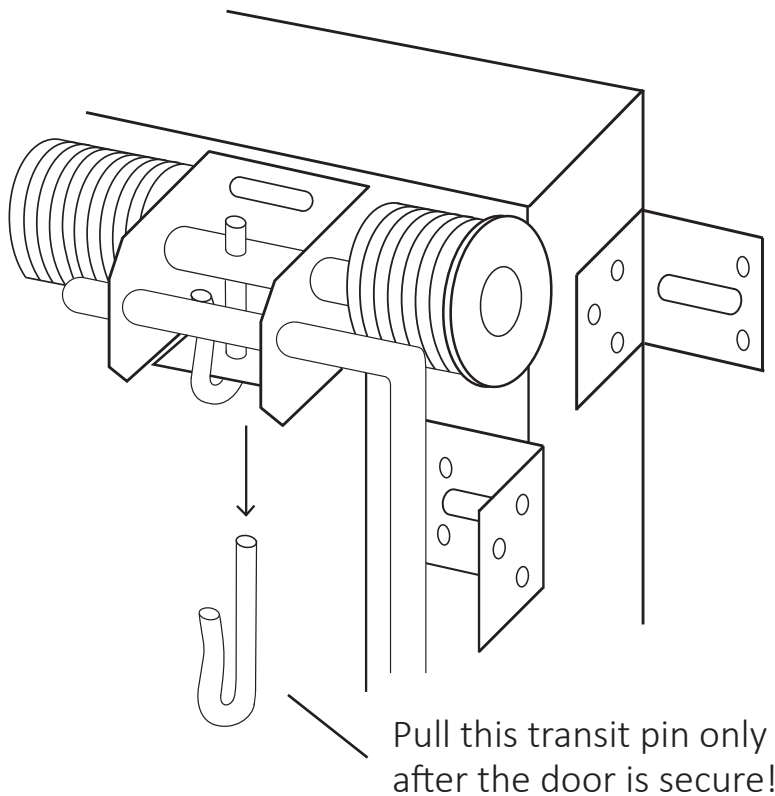
Now check the following

- The red and white drum at the end of the spring system do not foul the brickwork either side.
- The cables run from the back of the cones against the frame to the wheel assembly.

Now the door frame is secured you should align the door in the frame, the side tracks have slotted holes in them, undo the phillips head screw half a turn, move the side tracks left or right so that the door is centralised ensure the black side seal (white steel on some doors) on the door can pass through the arms.

Load the spring

Pull the pin as shown in the picture to load the spring tension from the transit position to working position.



Tip!

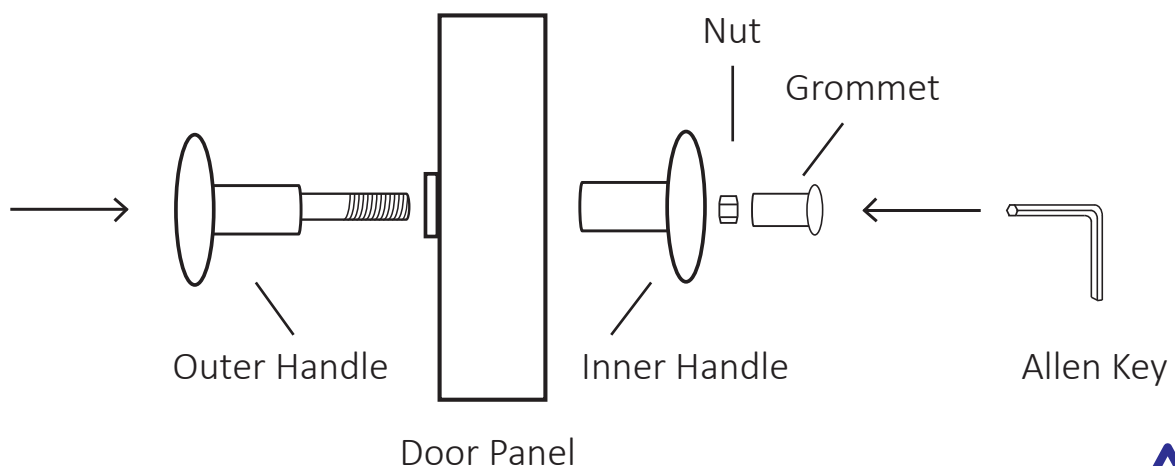


Check the cables are in the groove furthest from the door and run down the back of the frame. Check the door will pass the arms either side at the top. When pulling the tension pin you may need to wiggle it to loosen.

NEVER pull this pin unless the door is secured to the brick opening.

Fitting the outer handle

Fit the outer handle to the outside of the door, fit the inner lock and the moulded fixing using an Allen key and tighten.



Caution!



Only tighten enough to remove play from handle - over tightening can damage the outer panel.

Door commissioning and adjustment

Open the door fully and oil the side runners and the wheels / cables and top latches. Do not Grease any parts. **If 4 point locking purchased see separate sheet and fit now.**

Caution!



Check the locking works correctly from the inside by closing the door and opening again. Do not do this from the outside as if adjustment is required you may not be able to open the door again.

Although adjusted in the factory the cables can be disturbed during transport and it is the responsibility of the installer to correct the cables as required.

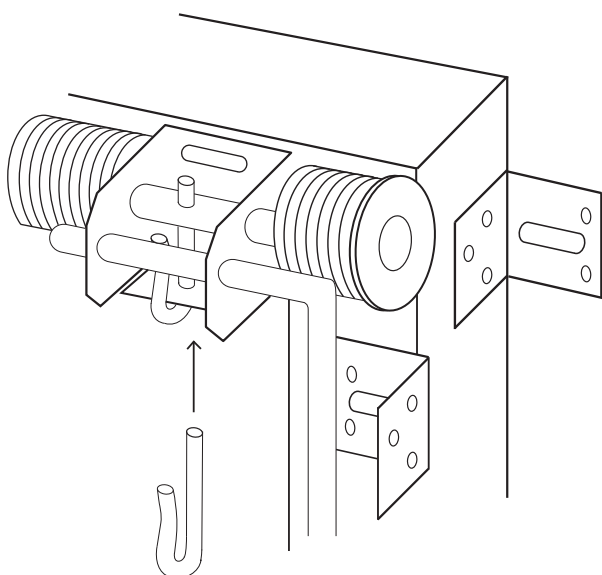
Adjustment



If the door is opening too slowly or too quickly adjust the tension on the spring (see spring tension adjustment). **Call the technical helpline on 01217 497 977 for advice** - this element should only be performed by competent persons.

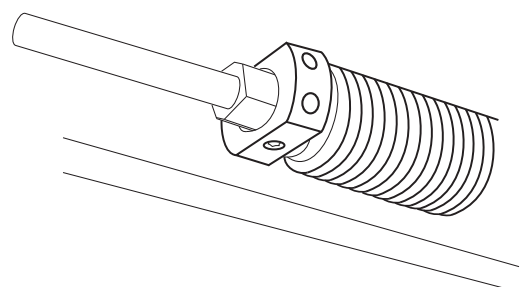
Spring Tension Adjustment

First, replace the pin to add or remove tension.



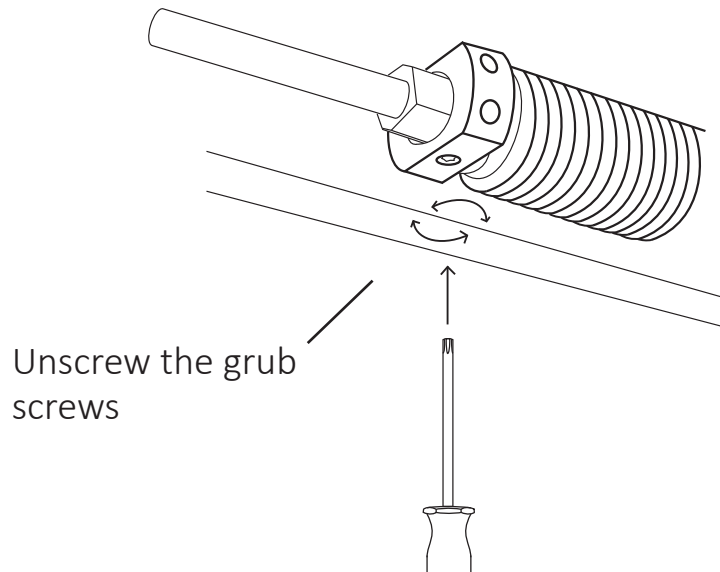
The spring is held with 2 grub screws that are on the knuckle on the left hand side of the spring.

There are also 4 holes in the knuckle for inserting suitable bars to adjust the tension - a spanner can also be used.

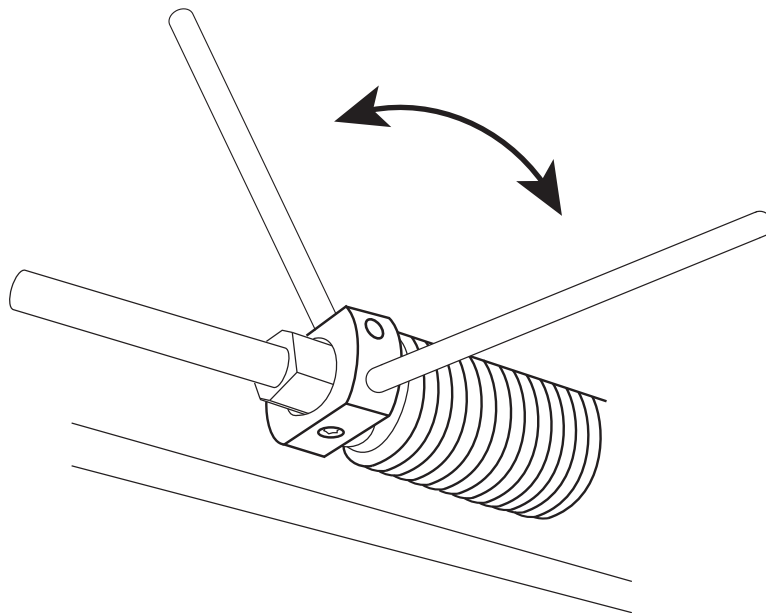


Spring Tension Adjustment

When the grub screws are undone the tension is released so the spring must be held with the bars or 1 bar and a spanner.



The tension is increased by turning the spring knuckle toward the ceiling and decreased by turning down.



Remember

The spring must be held with the bars at all times while the grub screws are loose to avoid the complete loss of tension.

Increase or decrease tension and tighten the grub screws with Allen key. Repeat until tension is correct. The pin must be removed to try the door tension. Make sure the cables are both in the correct grooves.

Important

Cables



Locking cables and lifting cables are subject to wear and tear and should be examined regularly, tangling of cables through poor maintenance/adjustment does not constitute as a manufacturing defect.

Cable failure



The holes in the tracks on either side are a safety device. Only expect them to engage if you have a cable failure - they are designed to stop the door falling on your head!

Removal

To remove the door you first must replace the spring tension holder shown on page 6. Remove side track screws and slide out the tracks. Undo the spring holder bracket screws x 4 and lift the entire spring assembly off the locking point/spring holder and lower the spring to the mid point of the door. Ease the door out of the opening.

Door maintenance

- Every 3 months you must oil all pivot points with 3 in 1 oil.
- You must check tension of the door - open the door and ensure it holds in place if it falls contact your dealer or the helpline for more advice.
- Clean the paint finish and touch up any marks with the correct RAL colour stick available from your dealer.
- **Refer to the door label for more advice.**



EC Declaration of Conformity



We, the Fort Doors company of the United Kingdom, do hereby declare that the building industry product described in the detail below conforms in all respects and meets all requirements if assembled and maintained in accordance with the installation instructions.

Product Fort overhead garage door for manual operation

Standard Industrial, commercial and garage doors and gates -
Product standard - Part 1: Products without fire resistance
or smoke control characteristics.

EN 13241-1

EN 12604 Mechanical aspects - requirements

EN 12605 Mechanical aspects - test procedures

We furthermore declare that the technical documents including test certified will be made available to the relevant governing authority upon request.

Authorised persons for the compilation and management of the technical documentation:

A handwritten signature in blue ink, appearing to be 'D. Jones'.

The Directors
Fort Doors
25/06/2013

Notes:



Fort Doors, Unit 19, The Fort Industrial Park,
Dunlop Way, Birmingham B35 7AR

Tel: 0121 749 3699

Fax: 0121 748 2677

e-mail: sales@fortdoors.co.uk

web: fortdoors.co.uk

Fort Doors reserves the right to alter specifications to design and manufacture without notification. All specifications are correct at time of publication, errors and omissions excepted. Colour samples are, due to the print process, intended as a guide only, please request a sample if unsure.